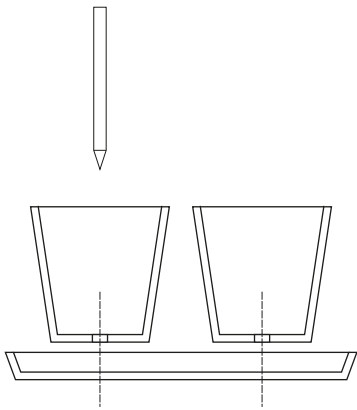
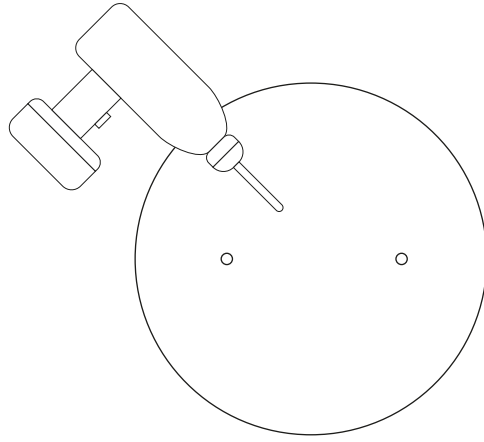


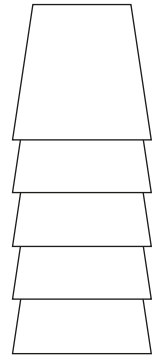
CARA \ DAVIDE
Vaso Side Table
2023



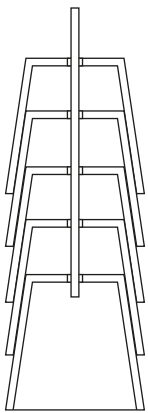
01. Use the holes in the pot plants to mark where to drill the holes in one of the pot plant plates



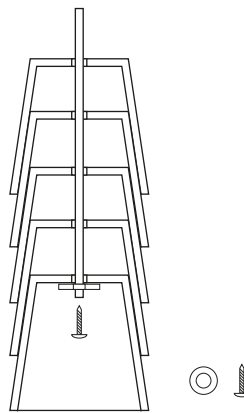
02. Using a drill bit for ceramics or tiles, make two holes in one of the pot plant plates



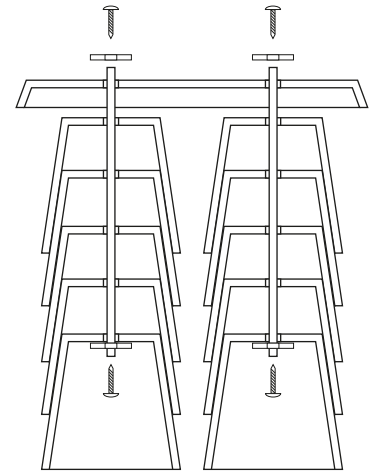
03. Stack the pot plants to obtain the desired height



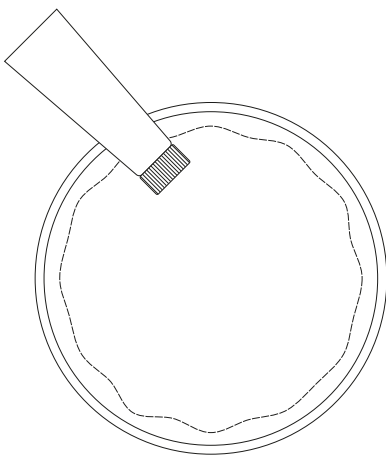
04. Insert the wood through the holes in the pots and cut to size, leaving enough on top to secure the table top



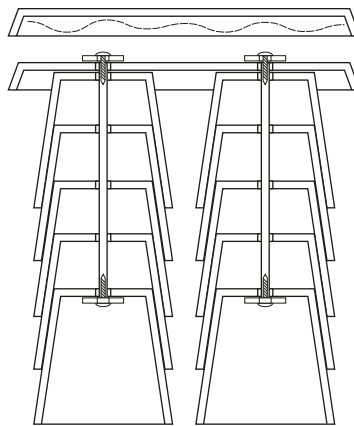
05. Insert the washer and loosely screw in the wood



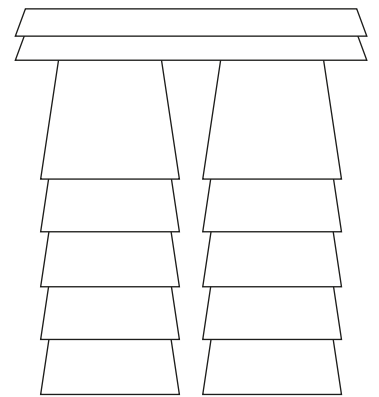
06. Insert the washers on top, cut off any excess wood and tighten all the screws until stable



07. On the second pot plant plate apply glue to the inner rim



08. Place on top to cover the screws and add a weight for the entire drying time of the glue



Vaso Side Table