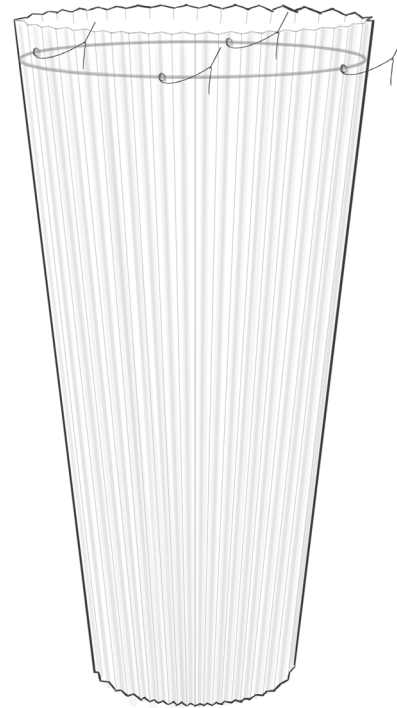
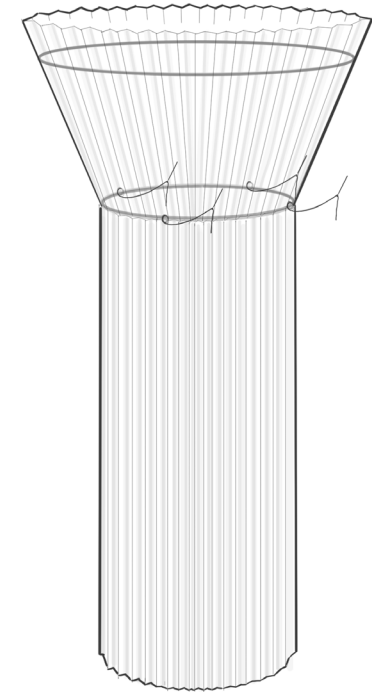


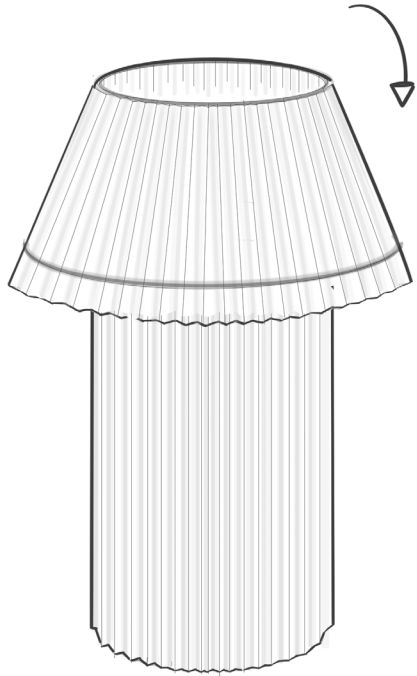
1.  
Draw the distances of the rings on the plissé with a fine pencil in a folded position



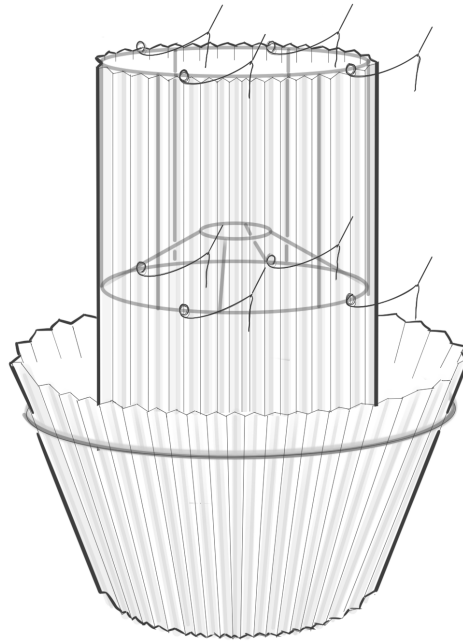
2.  
Stick the ends of the plissé together and sew the large ring (ø 400mm) into the plissé four times.



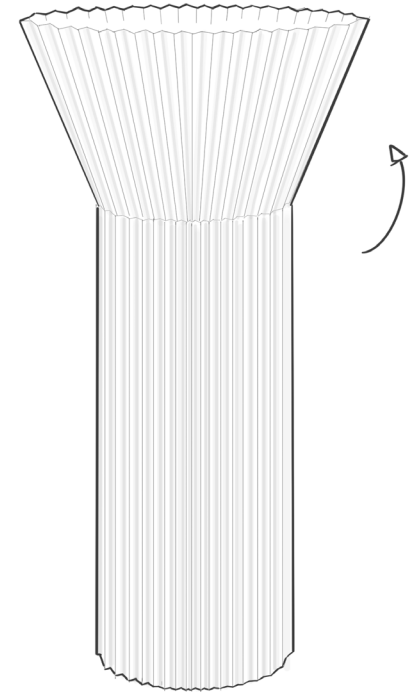
3.  
Sew the second smaller ring into the plissé four times. Then sew all inner edges of the plissé to the ring.



4.  
Fold the large ring down over the smaller one. This will create a crease.



5.  
Now sew the lamp frame from the other side into the plissé. For more stability sew all the inner edges of the plissé to the bottom ring.



6.  
Fold the large ring up again, cut a small hole for the cable and make all the folds nice.  
Finally, screw in the socket and bulb.